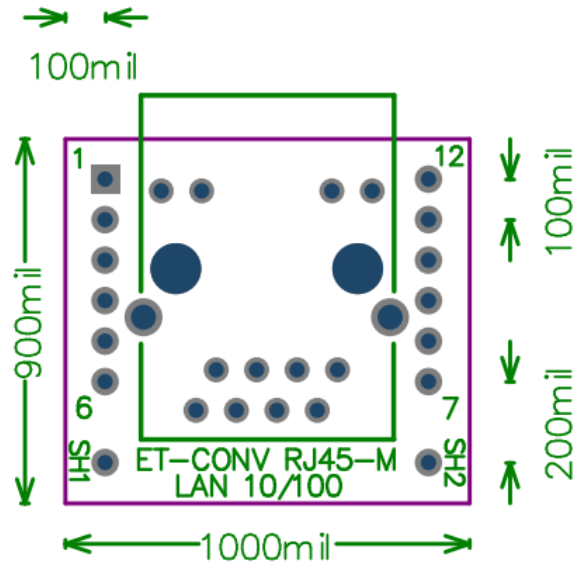


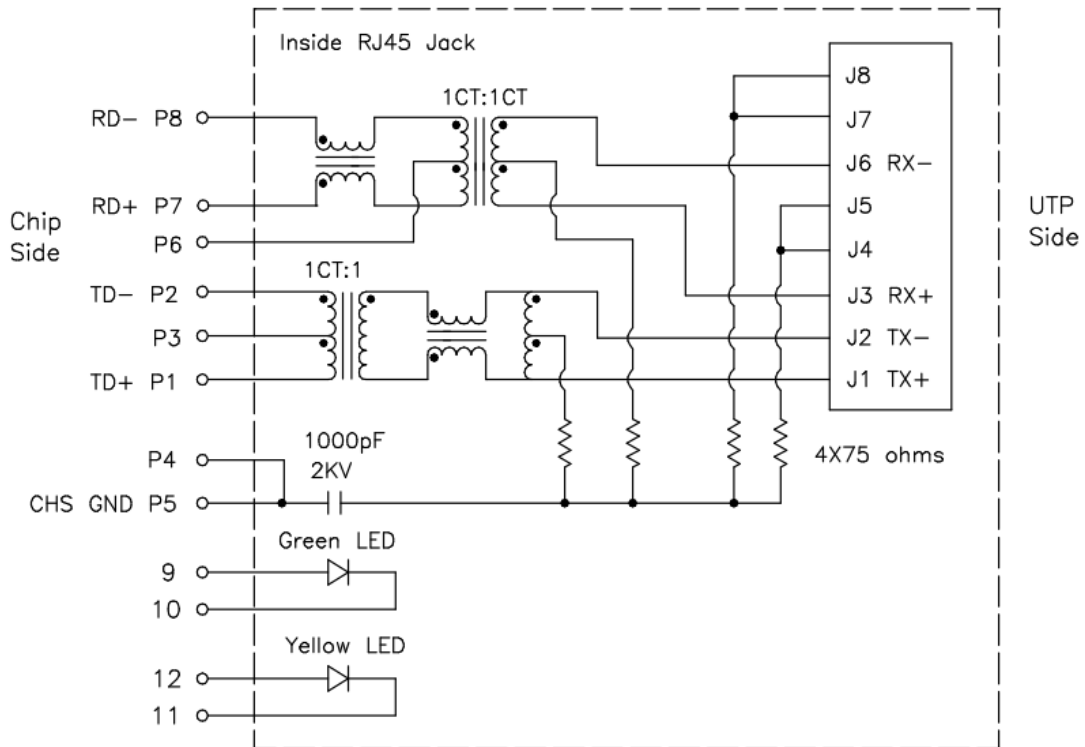
# ET-CONV RJ45-M



Mechanical Dimensions

SH1,SH2 = body of RJ45

## Schematics



Notes: Connect CHS GND to PCB Ground